



Description



TVC-400
COMPACT VERTICAL SYSTEM

	TVC-400	TVC-800	TWM-400	TWM-1000
Frame	Welded stainless steel tube			
Membranes	Low energy, thin-film (high rejection option)			
Vessels	PVC (SS option)			
Pump	Brass Positive Displacement (SS option)			
Gauges	Filter inlet/outlet, Vessel inlet/outlet, SS case, bronze internals (SS option), glycerine filled			
Valves	Recirculation control valve			
Switches	Low feed pressure cut-out and tank pressure			
Filters	20" 10 mic. pre-filter and 20" GAC post filter w/housings			
Electrical*	110/220V 50/60Hz 1-phase			
Connections Feed/Drain/Product	1/2" QC/3/8" QC/1/2" QC			
Control System	Power switch and pressure switches			
Standard Panel Instruments	TDS Indicator, Recirculation and Product Flowmeters		TDS Indicator	

Specifications



TWM-1000
WALL MOUNT SYSTEM

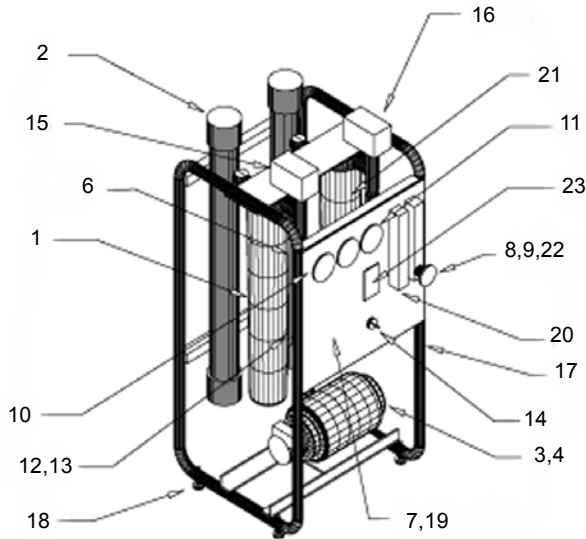
	TVC-400	TVC-800	TWM-400	TWM-1000
Capacity	400 GPD (1.5m ³ /d)	800 GPD (3.0m ³ /d)	400 GPD (1.5m ³ /d)	1000 GPD (3.8m ³ /d)
Membranes	1	2	1	1
Nominal/Maximum Operating Pressure	150/200 psi (10.3/13.8 bar)			
Min. Conc. Flow - Discharge + Recirc	0.35 GPM	0.7 GPM	0.35 GPM	0.7 GPM
Nominal Recovery	50%			
Typical TDS Rejection	98%			
Max Feed Temp	113°F (45°C)			
Feed pH	3-10			
Feed Chlorination	Dechlorination reqd. if >0.1 ppm			
Maximum Feed TDS	2,500 ppm			
Motor Rating	0.75 HP ODP Carbonator Type			

System Options

Product Storage Tanks • Tank Level Controls
Repressurization system • Automatic Flush • Pre/Post Treatment



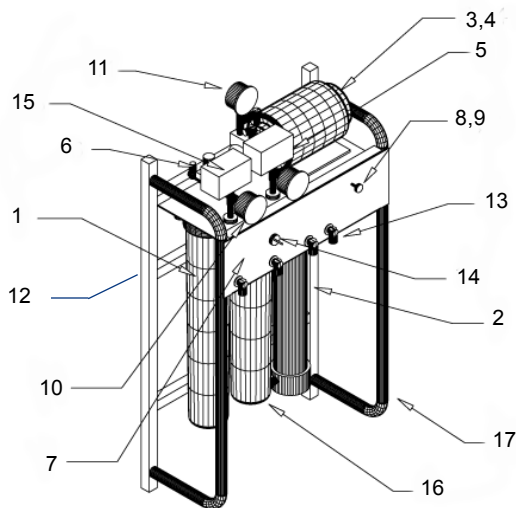
TVC-400 and TVC-800



System Diagram

- | | |
|-----------------------------|----------------------------|
| 1. Prefilter | 12. Electric Junction Box |
| 2. Pressure Vessel Assembly | 13. Pressure Relief Switch |
| 3. Pump | 14. Main Power Switch |
| 4. Motor | 15. Low Pressure Switch |
| 5. N/A | 16. Tank Pressure Switch |
| 6. Solenoid Valve | 17. SS Frame |
| 7. Monitoring Panel | 18. Levelling Feet |
| 8. Brine Flow Restrictor | 19. Control Panel |
| 9. Conc. Recirc. Valve | 20. Product Flow Meter |
| 10. Prefilter In/Out Gauges | 21. Post Filter |
| 11. Vessel In Gauge | 22. Recirc. Flow Meter |
| | 23. TDS Monitor |

TWM-400 and TWM-1000



System Diagram

- | | |
|------------------------------------|---------------------------|
| 1. Prefilter | 11. Vessel In/Out Gauges |
| 2. Pressure Vessel Assembly | 12. Wall Mounting Holes |
| 3. Pump | 13. Plumbing In/Out Conn. |
| 4. Motor | 14. Main Power Switch |
| 5. Tank Switch | 15. Low Pressure Switch |
| 6. Solenoid Valve | 16. Post Filter |
| 7. Control Panel | 17. SS Frame |
| 8. Brine Flow Restrictor | |
| 9. Conc. Recirc. Valve | |
| 10. Prefilter In & Tank Pr. Gauges | |

TVC and TWM Series System Information

Dimensions and weight are for the system only. Systems are shipped on a boxed frame. A shipping crate is available for an additional charge.

	TVC-400	TVC-800	TWM-400	TWM-1000
Weight lbs. (kg) (Dry)	67 lbs. (31 kg)	75 lbs. (38 kg)	72 lbs. (33 kg)	80 lbs. (36 kg)
Dimensions	17"W x 16.5"D x 34"H (43 x 42 x 86 cm)		21"W x 10"D x 36"H (53 x 25 x 91 cm)	